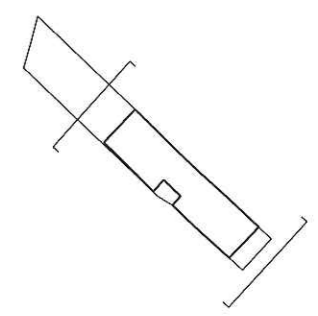


Note
 01 Do not scale from this drawing
 02 All dimensions to be checked on site by the Contractor and such dimensions to be their responsibility
 03 Report all drawing errors, omissions and discrepancies to the Architect

Key

01 Concrete roof tile	10 Conservation rooflight
02 White framed window	11 White framed window
03 Red brick	12 Dark metal cladding
04 Stucco render	13 New white framed window
05 Opaque timber door	14 Replacement white framed window
06 Stock/red brick	15 Stock brick
07 UPVC double doors	
08 UPVC single door	
09 Gate to alleyway	



Revision
 - 10.01.22 Planning

Architect Benjamin Machin

019_(P00)_200

Project
 House in Linslade

Drawing
 Proposed south east and north west elevations

Scale
 1:50 @ A1 / 1:100 @ A3

Status
 Planning

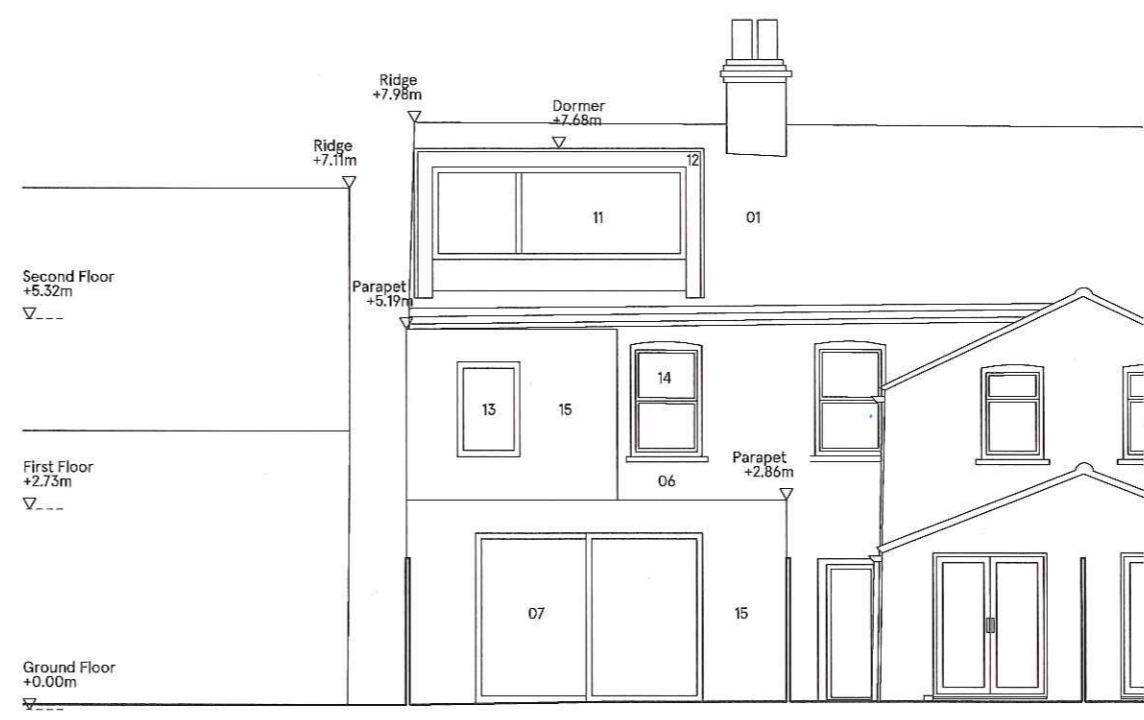
Classification
 (P00)

Drawing no.
 200

Revision
 -



Proposed south east elevation

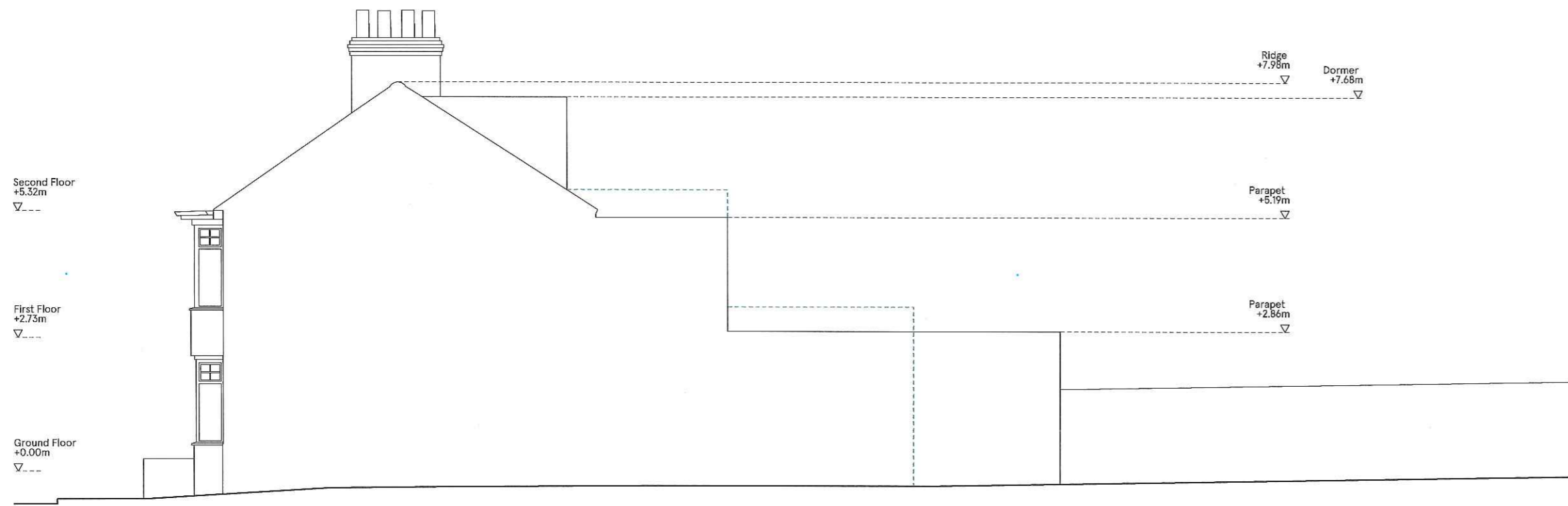
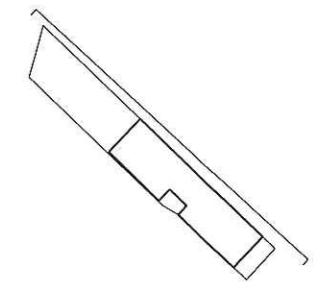


Proposed north west elevation

56 Springfield Road 54 Springfield Road 52a Springfield Road 52a Springfield Road 54 Springfield Road 56 Springfield Road

- Note
- 01 Do not scale from this drawing
 - 02 All dimensions to be checked on site by the Contractor and such dimensions to be their responsibility
 - 03 Report all drawing errors, omissions and discrepancies to the Architect

Key
 - - - - Extent of existing building



Revision
 - 10.01.22 Planning

Architect Benjamin Machin

019_(P00)_201

54 Springfield Road

Project
 House in Linslade

Drawing
 Proposed north east elevation

Scale
 1:50 @ A1 / 1:100 @ A3

Status
 Planning

Classification
 (P00)

Drawing no.
 201

Revision
 -

Proposed north east elevation